



Main Features:-

- ◆ Full Port Ball Valve
- ◆ DN15 to DN50 PN40
- ◆ Female BSP Ends
- ◆ Working Temperature -20°C to 110°C *
- ◆ Maximum working pressure 40 bar

*Temperature and pressure determined by valve body, seat etc.



Suitable Applications & Approvals:



HVAC



OIL



GAS



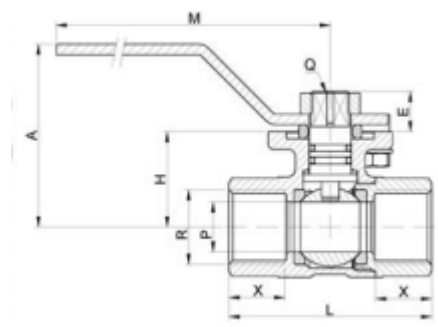
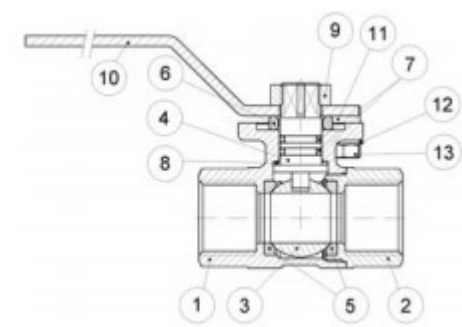
INDUSTRY

SERIES: 80050

MANUFACTURER: **GENEBRE**

VALVE MATERIALS & DIMENSIONS

ITEM	SECTION	MATERIAL	ADDITIONAL INFO / OPTIONS
1	Body	Brass	Peened + Chromed
2	Cap	Brass	Peened + Chromed
3	Ball	Brass	Chrome Plated
4	Stem	Brass	Chrome Plated
5	Ball Seat	PTFE	n/a
6	Nylon Ring	Nylon	n/a
7	O'Ring	NBR	n/a
8	Ring	Brass	Chrome Plated
9	Nut	Brass	Chrome Plated
10	Handle	Steel	n/a
11	Allen Screw	Steel	Zinc Plated
12	Grower Wash	Steel	Zinc Plated
13	Nut	Steel	Zinc Plated



REF	SIZE	DN	P	A	M	L	X	H	E	ØQ	Kg
80050-04	1/2"	15	14.25	52	103.5	58	15	27	11.5	9	0.274
80050-05	3/4"	20	19	57	103.5	65	16	32	11	9	0.376
80050-06	1"	25	23.75	60	111.5	78	19.5	35	11	9	0.564
80050-07	1 1/4"	32	30	68.75	138.5	88	19.5	43.25	13.5	11	0.927
80050-08	1 1/2"	40	37.3	74.25	138.5	105	24.6	48.75	13.5	11	1.254
80050-09	2"	50	46.5	85.5	138.5	122	26.5	13.75	13.75	11	1.886



T +44 (0)1386 552369

E sales@allvalves.co.uk

W www.allvalves.co.uk

F +44 (0)1386 554227



Genebre are a global brand of industrial valves with large stocks held for fast delivery on various type of valves, sizes, end connections and materials.

SERIES: 80050

TORQUE / Kv VALUES / PRESSURE & TEMP CHART

REF	SIZE	TORQUE Nm	REF	SIZE	Kv
80050-04	1/2"	N/A	80050-04	1/2"	16
80050-05	3/4"	N/A	80050-05	3/4"	30
80050-06	1"	N/A	80050-06	1"	45
80050-07	1 1/4"	N/A	80050-07	1 1/4"	70
80050-08	1 1/2"	N/A	80050-08	1 1/2"	115
80050-09	2"	N/A	80050-09	2"	210

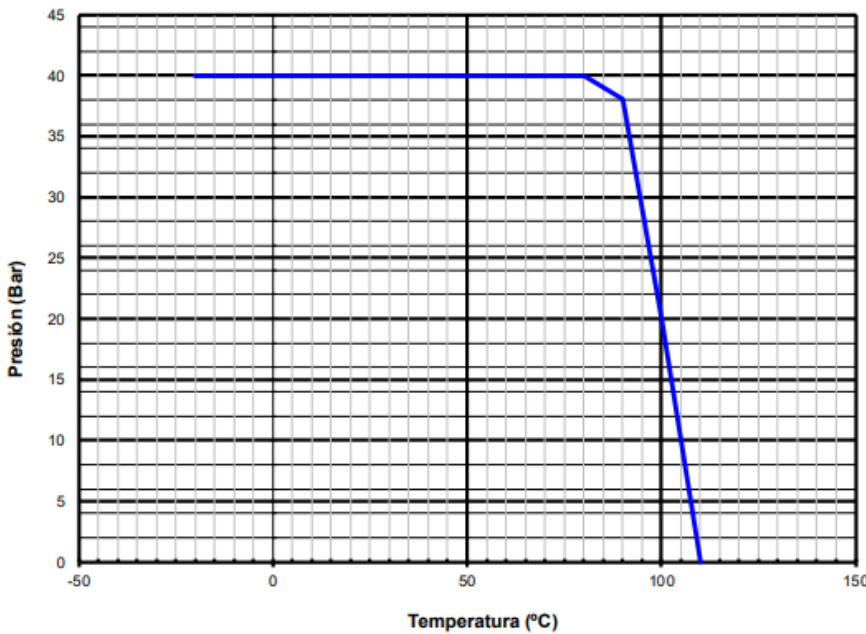
TORQUE :

- The liquid listed in the table are initial breakaway torques, taken with liquids and lubricant media.
- Please regard these as approximate values, as the objective value on different factors like pressure, medium, rubber

PRESSURE AND TEMPERATURE CHART

GENEBRE

Genebre is a leading company and world reference in fluid control and high-quality taps. They control all the creation processes, responding to the specific needs of each market: from the initial concept and design of the product to the production and commercialization.



T +44 (0)1386 552369

E sales@allvalves.co.uk

W www.allvalves.co.uk

F +44 (0)1386 554227